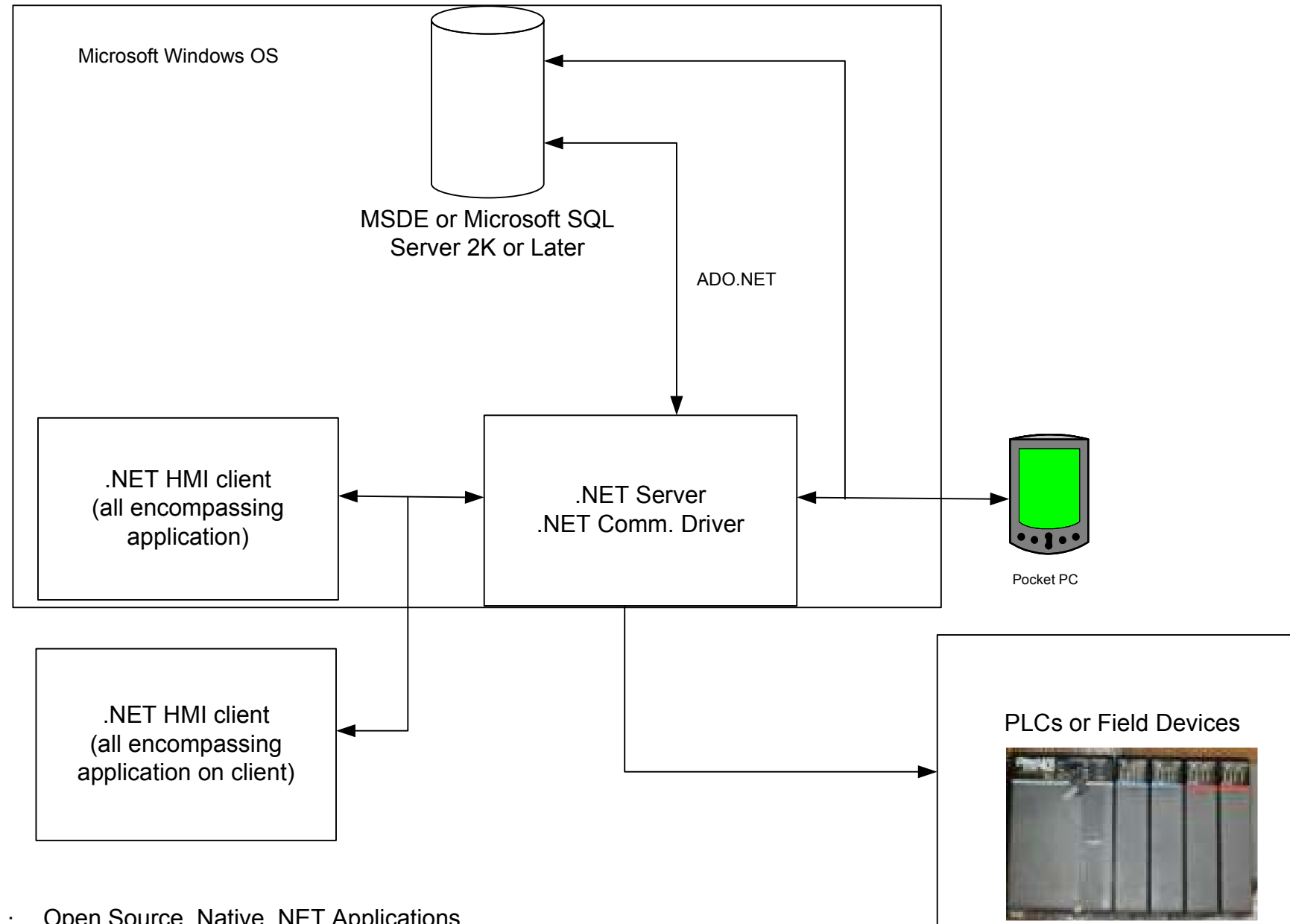


Typical Parijat Solution with Microsoft



- Open Source, Native .NET Applications
- All development tools are available from Microsoft
- Create custom .NET objects to make configuration quick & automated
- Create add-ins to make self-configuring HMI/SCADA systems
- Develop your own drivers for communication with foreign devices
- The .NET server may run on redundant machines